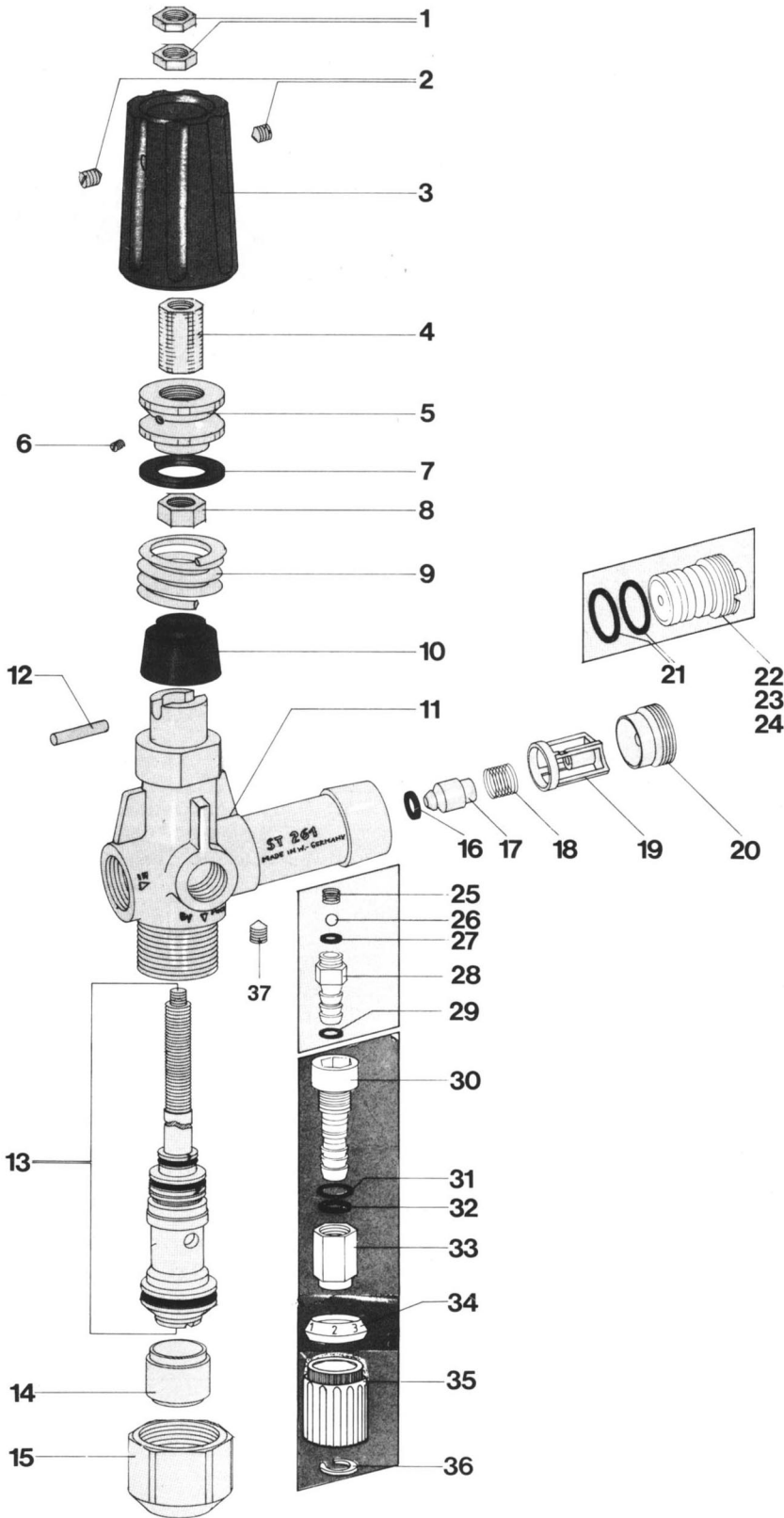


# UL 261 Unloader Valve



Item #	Order ~ Orden	Description
1	040001620	Nut
2	040000390	Set screw
3	200260547	Hand wheel, complete
4	010004480	Insert adjusting screw
5	100001700	Adjusting screw
6	040001630	Set screw
7	020001341	Glide ring
8	040001610	Nut
9	060000301	Spring
10	020002850	Bushing
11	010001680	Housing
12	040001490	Cylinder pin
13	200261526	Repair kit ST-261
14	010001775	Distance Piece for ST-261
15	010001690	Stop nut
•16	050000050	O-ring
•17	040000440	Valve part
•18	060000310	Spring
•19	020001290	Valve housing
20	010001700	Safety nut
21	050000440	O-ring
22	200260555	Injector nozzle 1.8 mm
23	200260556	Injector nozzle 2.1 mm
24	200260557	Injector nozzle 2.4 mm
*25	060000120	Spring
*26	060000110	Stainless steel ball
*27	050000070	O-ring
*28	010000200	Hose barb
29	050000370	O-ring
30	020001300	Injector adjustment part
31	050000530	O-ring
32	050000470	O-ring
33	010001730	Stop nut
34	020001305	Graduated collar
35	020001310	Bushing
36	050000730	Safety ring
37	040001270	Set Screw
•	200261528	Repair kit "A"
*	200060720	Repair kit "F"