

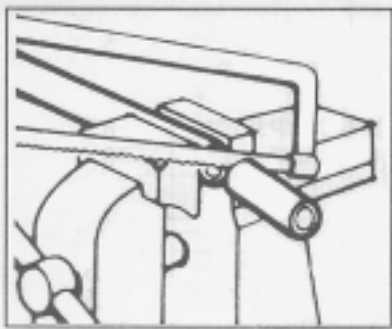
# MAGIKIST

## Technical Document

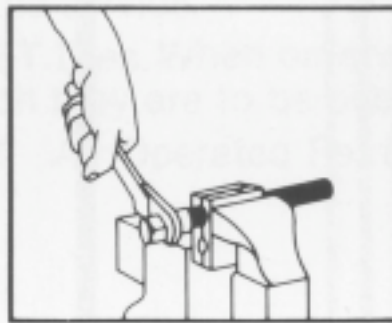
**Title:** Installation of RED7-4 and RED7-6 reusable hose ends on HOPC04 and HOPC06 wire braid hose respectively.

**Revision:** 1.0

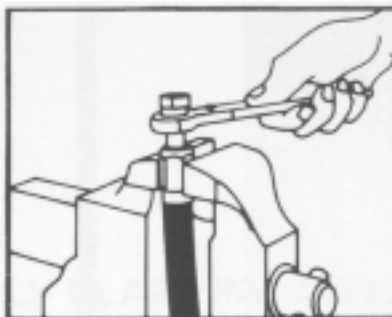
**Date:** February 16, 2006



Cut hose square to the desired length using a cut-off wheel or a fine-toothed saw. Clean the end of the hose from any debris.



Clamp hose lightly in vise. If desired oil outside of hose. Turn shell portion of reusable end on to hose until it bottoms onto hose. Back off shell one full turn or approximately 1/4".



Place a generous amount of grease on insert portion of reusable end and on the inside of the hose. Screw insert fully into shell until the hex portion of the insert is in full contact with the shell.